

Z26000 Series: Ø 26 mm (1-in) Can-Stack

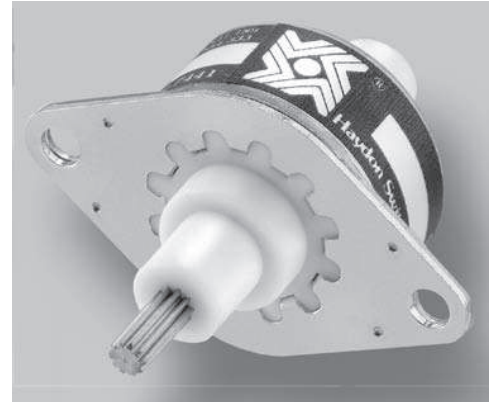


Haydon Kerk Motion Solutions, Inc. • www.HaydonKerk.com • Phone: 800.243.2715 • International: 203.756.7441

Exceptional performance at an economical price.

Salient Characteristics

Ø 26 mm (1-in) Z-Series motor					
Wiring		Bipolar			
Part No.	Captive	Z2644X-V	Z2654X-V		
	Non-captive	Z2634X-V	Z2684X-V		
	External**	Z2644X-V**	Z2654X-V**		
Step angle		7.5°		15°	
Winding voltage		5 VDC	12 VDC	5 VDC	12 VDC
Current/phase		340 mA	140 mA	340 mA	140 mA
Resistance/phase		14.7 Ω	84 Ω	14.7 Ω	84 Ω
Inductance/phase		8.5 mH	55 mH	6.7 mH	44 mH
Power consumption		3.4 W			
Rotor inertia		1.4 gcm ²			
Temperature rise		135°F Rise (75°C Rise)			
Weight		1.2 oz (34 g)			
Insulation resistance		20 MΩ			



The Z26000 Series motors are ideal for high volume. Utilizing rare earth (neodymium) magnets. Also, available in a special “earless” configuration without a mounting flange.

All units are built with reliable dual ball bearings.

CAN-STACK LINEAR ACTUATOR MOTORS

Ø 26 mm (1-in) Z-Series motor					
Wiring		Unipolar*			
Part No.	Captive	Z2646X-V	Z2656X-V		
	Non-captive	Z2636X-V	Z2686X-V		
	External**	Z2646X-V**	Z2656X-V**		
Step angle		7.5°		15°	
Winding voltage		5 VDC	12 VDC	5 VDC	12 VDC
Current/phase		340 mA	140 mA	340 mA	140 mA
Resistance/phase		14.7 Ω	84 Ω	14.7 Ω	84 Ω
Inductance/phase		4.3 mH	24 mH	3.4 mH	19 mH
Power consumption		3.4 W			
Rotor inertia		1.4 gcm ²			
Temperature rise		135°F Rise (75°C Rise)			
Weight		1.2 oz (34 g)			
Insulation resistance		20 MΩ			

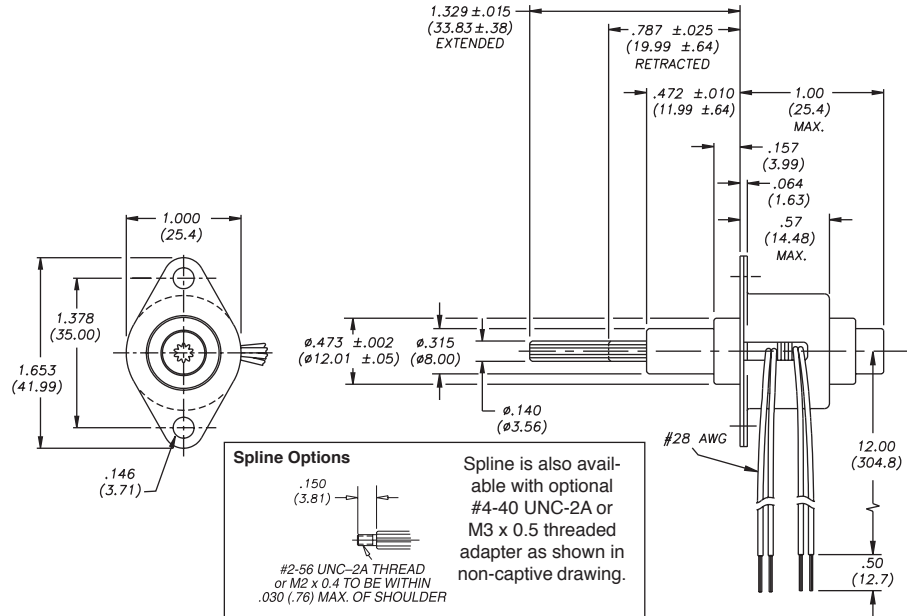
Step	Linear Travel/Step		Order Code I.D.
	inches	mm	
7.5° Angle	0.0005	0.013	3
	0.001	0.0254	1
	0.002	0.051	2
15° Angle	0.00164	0.04166	AS
	0.002	0.051	2
	0.004	0.102	4

Special drive considerations may be necessary when leaving shaft fully extended or fully retracted.

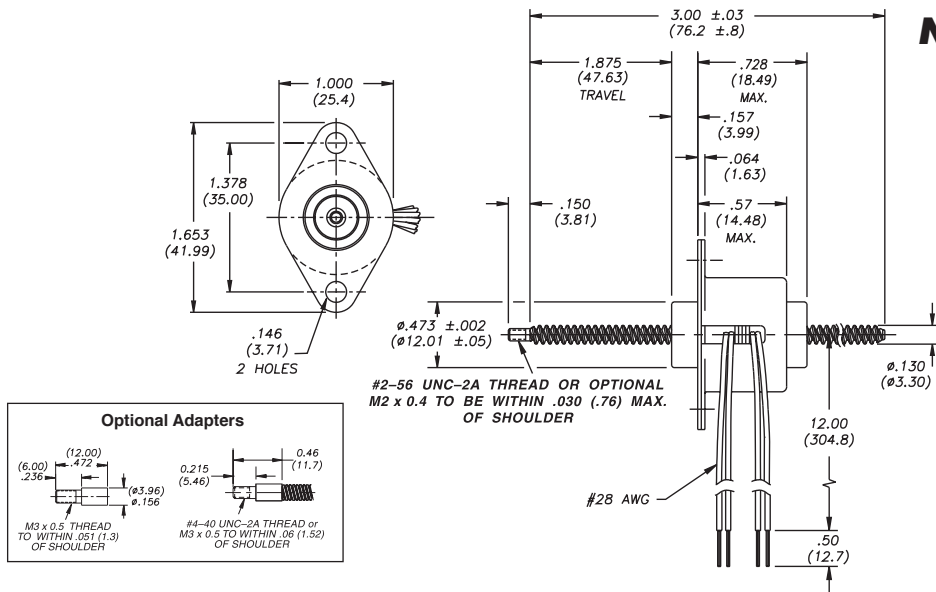
* Unipolar drive gives approximately 40% less thrust vs. bipolar drive.

** When ordering Z-Series External Linear motors, add -900 to end of the Part Number.

Captive Leadscrew



Non-Captive Leadscrew



CAN-STACK LINEAR ACTUATOR MOTORS

External Linear

