

HL-CWH3H10-B USER MANUAL

HL-CWH3H10-B RGB controller is designed for LED lighting dimmer. It can control LED modules, LED ribbons, LED bars, High Power LED modules and other LED lighting fixture, which form the complete LED lighting dimmer system with 12V DC power supply.



1. Features

Working temperature: 0~70°C
Dimensions: 127*65*24(mm)
rated load current: 10A

Max load current: 15A

Output: Three COMS output.

Control method: four buttons, wireless control.

Buttons (from top to bottom): MODE, UP, DOWN, ON/OFF

MODE button: To press each time to achieve one mode. All together 11 modes.

UP button: To speedup color changing. To press one time, the colors changing will be faster. To press steadily, the changing will become quiker until to the quikest. The green signal will light when press unless the changing rates reach to the highest.

DOWN button: To slowdown the color changing. Same as above method.

ON/OFF button: To press one time, the controller will work or shut off.

Mode: 1. Static red, 2. Static green, 3. Static red/green mix. 4. Static blue, 5. Static red/blue mix, 6. Static green/blue mix, 7. Static red/green/blue mix. 8. Jumpy cycle changing, 9. disorder flash changing, 10. gradual cycle changing, 11. disorder gradual changing.

Power: DC12V

Output Connection: Common Anode

SPEC NO:C0736

REV NO:A/0

DATE:June/01/2007

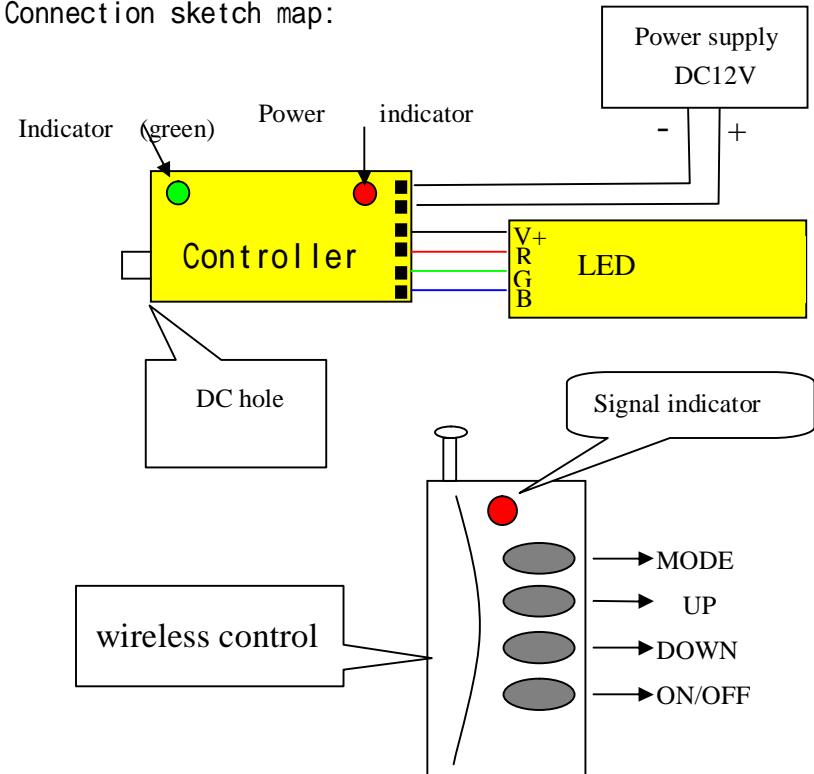
APPROVED:

CHECKED:

PAGE:1/1

DRAWN:

2. Connection sketch map:



3. Note

- 1) Make sure the products working voltage must 12V DC or it will be damaged.
- 2) The wirelss control should be powered by 23A, 12Vbattery.
- 3、Please connect according to the above sketch map. The connection port can be pulled out.
- 4) When the power is on, the red indicator will light, the green indicator do not light. The controller is waiting for work. To press the ON/OFF button, it will began to work.The green indicator will flash when press any button unless it is out of work.
- 5) UPand DOWNbutton: It can work only when the controller is in color changing mode.
- 6) Our packing is one wireless control matches one controller. Please do not use other wireless control or it will not work.